

INSTRUCTION MANUAL



SHEPHERD REGULATOR PIPE BAG



THE SHEPHERD WAY

R T SHEPHERD & SON (SCOTLAND) LTD. TEL. 44 +(0)1592 720130 / FAX. 44 +(0)1592 721857
Email: aftersales@shepherd-bagpipes
www.shepherd-bagpipes.com

SHEPHERD REGULATOR **PIPE BAG**

The new improved SHEPHERD REGULAR PIPE BAG is designed to reduce moisture and maintain temperature to assist consistent tone from your reeds. The bag consists of an inner bag that is airtight made from a breathable layered membrane material. A separate outer bag insulates the inner bag and creates a warm cavity when not being played thus allowing the inner bag to breathe more effectively and helps to hold playing temperature.



The internal water trap (MOISTURE CONTROL SYSTEM) is designed to enable pipers assess and apply individual husbandry for their instrument ensuring optimum usage of bagpipe in various climatic environments.

The variable factors will be:

1. how “wet” a blower
2. climatic conditions

These factors can easily be identified and assessed for each individual piper by constant scrutiny of the moisture collection in the bottle and viewing the top of the pipe chanter in the vicinity of the reed seat similarly with the drone reeds for moisture build up. Thus determining the limit of the system for each individual.

Note: when inspecting the bottle, moisture will be visible, if the unit is fitted and Functioning properly.

FITTING INSTRUCTIONS.



Before operating the zip, lubricate with the grease provided. This reduces the pulling force required to open and close the zip, consequently preventing excessive pressure in and around the zip area.



Operating the Zip



To close: grasp bag firmly with left hand and pull toggle with other hand providing a smooth slide. The zip slide will click into place without the need for an extra tug.



To open: grasp inner bag firmly with right hand and pull toggle with other hand.

FITTING THE STOCKS



For lubrication purposes, smear a little washing up liquid on the inside of the elastic collars.



Feed the drone and blowpipe stocks through the zip opening.



By using a series of short sharp movements, push the stocks through the elastic collars to the desired depth (the groove in each stock should be just inside the bag as shown.) For additional security each collar should be wrapped with the bonding tape supplied.



FITTING THE CHANTER STOCK

The chanter stock can be inserted through the zip opening or neck opening, and is secured using tying-in string as supplied.



Form a loop at one end of the twine.



Position the loop around the bag, then slip the twine through the loop.



Tightly wind the twine around the stock several times ensuring the position of twine is in the vicinity of the stock groove for extra leverage use a small piece of wood as shown.



After several winds, a “U” piece of twine is laid down parallel to the stock.



Apply a few more turns then thread the end of the twine through the “U” piece.



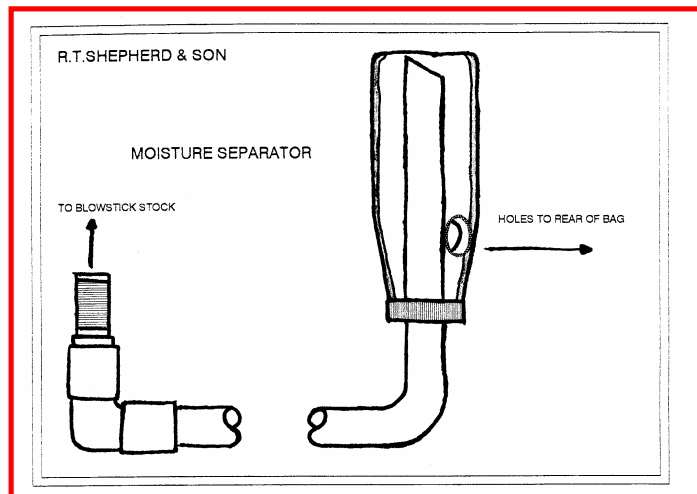
Yank the ends of the “U” piece pulling the twine all the way under the wrapping.

As with the other stocks for additional security wrap with the bonding tape supplied



FITTING THE MOISTURE CONTROL SYSTEM

Hemp the connector to secure a tight fit to the blowpipe stock, ensure the exit holes in the container (bottle) are not covered by the sponge and facing the back of the bag.



Remember the Moisture Control System (bottle and sponge) is an immediate visual aid for the moisture status of your bagpipe. It offers the player the facility to take action dependent upon the climate needs of the playing environment.

Always take the bottle out after each playing session and allow it to dry out separately. This will mean that each day you play your bagpipe; you will start from the same moisture position. You can also consider the use of a spare bottle with the view of exchanging the bottles.

Thus producing a constant internal environment for your reeds.

OPERATING THE MOISTURE CONTROL SYSTEM

AFTER EACH PERFORMANCE OR WHEN DEEMED NECESSARY EMPTY OR EXCHANGE THE BOTTLE BY UNSCREWING CAP.

EMPTY WATER FROM BOTTLE, REMOVE AND SQUEEZE EXCESS WATER FROM SPONGE.

WHEN NOT IN USE, IT IS GOOD PRACTICE TO LEAVE ZIP OPEN AND BOTTLE UNATTACHED TO HELP BOTH DRY NATURALLY.

ALWAYS ENSURE THAT EXIT HOLES ARE NOT RESTRICTED AND FACING THE REAR OF BAG.